

BELLOW SEALED GATE VALVE

150LBS – FIG. 101 BS

Design features

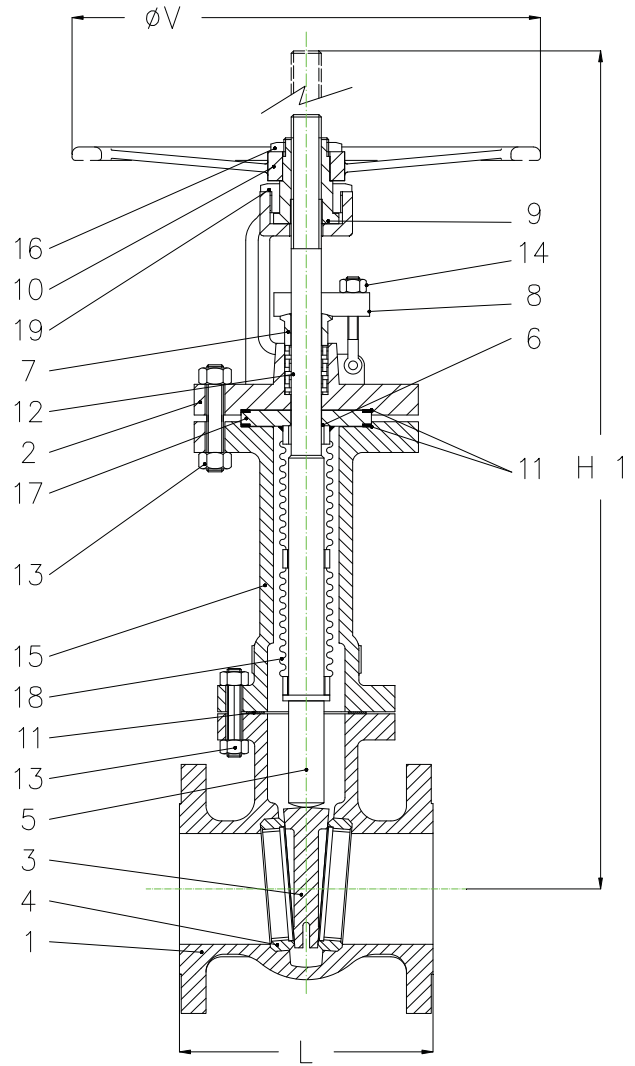
- ✓ Design according to
 - API 600
 - BS EN ISO 10434
 - ANSI B 16.34
- ✓ Bolted bonnet, O.S. & Y.
- ✓ Solid or flexible wedge
- ✓ Full range of body and bonnet materials
- ✓ Renewable seats
- ✓ Rising stem – non rising handwheel
- ✓ Flanges according to ANSI B 16.5 from 2" to 24"
- ✓ Flanges according to ANSI B 16.47 from 26"
- ✓ Bw ends according to ANSI B 16.25
- ✓ Face to face according to ANSI B 16.10
- ✓ Testing according to
 - API 598
 - BS EN ISO 12266 PART 1

Special execution

- ✓ See " special features " section

Material range

- ✓ Valves are also available in Super Austenitic Duplex and Superduplex Steels , Nickel based Alloys , Titanium and Molibdenum 6.



Dimensions

Size	2"	3"	4"	6"	8"	10"	12"	14"	16"	18"	20"	24"	30"	34"	36"
L-RF	178	203	229	267	292	330	356	381	406	432	457	Available on request			
L-BW	216	282	305	403	419	457	502	572	610	660	711				
H 1	325	835	995	1385	1795	2200	2620	980	1120	1560	1670				
V	200	225	250	300	400	450	500	600	720	G.O.	G.O.				

Item	PARTS	STANDARD MATERIAL							
		STD. CARBON STEEL	HIGH TEMPERATURE CARBON STEEL	LOW TEMPERATURE CARBON STEEL	STAINLESS STEEL				
1	BODY	ASTM A216 WCB	ASTM A217 WC6/WC9/C5/C12	ASTM A352 LCB/LCC/LC3	ASTM A351 CF3/CF8/CF3M/CF8M				
2	BONNET								
15	EXTENSION	ACCORDING TO API 600 TRIM NUMBER							
3	WEDGE								
4	SEAT RING								
5	STEM								
6	BACK SEAT								
7	GLAND					A105		A182 F304 L / A 182 F 316 L	
8	GLAND FLANGE					NI RESIST CARBON STEEL			
9	YOKE SLEEVE								
10	HANDWHEEL					SPIRAL WOUND REINFORCED GRAPHITE / PTFE GRAPHITE/PTFE			
11	GASKET								
12	STEM PACKING	A193 B7/A194 2H A193 B16/A194 Gr4 A320 L7/A320 Gr7 A193 B8/A194 Gr8							
13	BONNET STUD BOLTS/NUTS								
14	EYEBOLTS/NUTS	CARBON STEEL							
16	HANDWHEEL NUT								
17	BELLOW FLANGE	A182 F321 / A 182 F 316 L							
18	BELLOW								
19	YOKE SLEEVE NUT	CARBON STEEL							