

### GATE VALVE

150LBS – FIG. 101

#### Design features

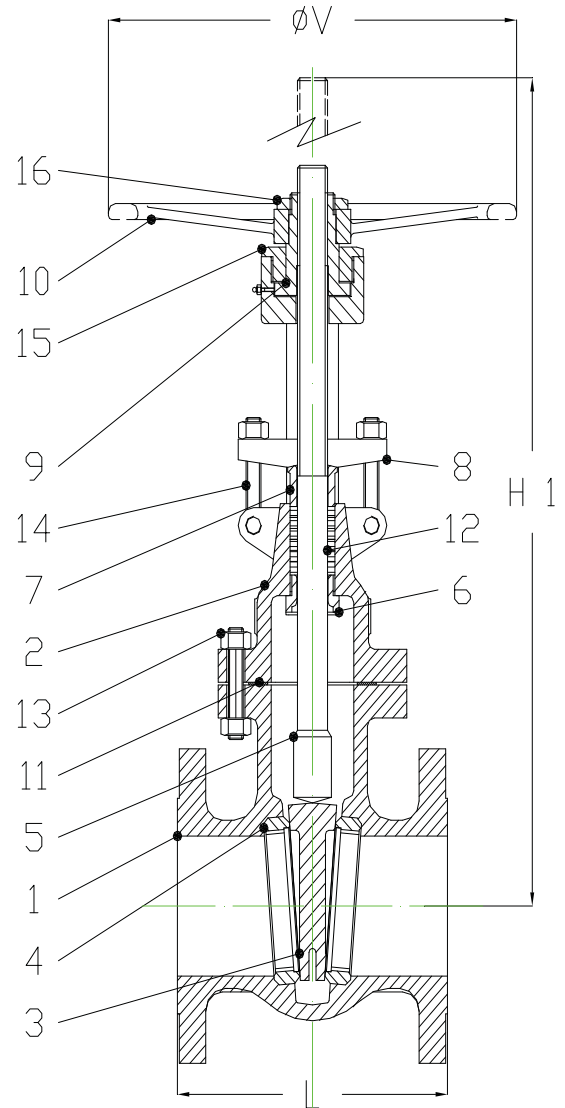
- ✓ Design according to
  - API 600
  - BS EN ISO 10434
  - ANSI B 16-34
- ✓ Bolted bonnet, O.S. & Y.
- ✓ Solid or flexible wedge
- ✓ Full range of body and bonnet materials
- ✓ Renewable seats
- ✓ Rising stem – Non rising Handwheel
- ✓ Flanges according to ANSI B 16.5 from 2" to 24"
- ✓ Flanges according to ANSI B 16.47 from 26"
- ✓ Bw ends according to ANSI B 16.25
- ✓ Face to face according to ANSI B 16.10
- ✓ Testing according to
  - API 598
  - BS EN ISO 12266 Part 1

#### Special execution

- ✓ See " special features " section

#### Material range

- ✓ Valves are also available in Super Austenitic Duplex and Superduplex Steels , Nickel based Alloys , Titanium and Molibdenum 6.



#### Dimensions

Size	2"	3"	4"	6"	8"	10"	12"	14"	16"	18"	20"	24"	30"	34"	36"
L-RF	178	203	229	267	292	330	356	381	406	432	457	508	610	711	711
L-BW	216	282	305	403	419	457	502	572	610	660	711	813	914	1016	1016
H 1	425	530	605	790	1000	1200	1420	1610	1780	2000	2140	2610	3420	4070	4365
V	200	225	250	300	350	400	450	500	600	600	720	800	G.O.	G.O.	G.O.

ITEM	PARTS	STANDARD MATERIAL			
		STD. CARBON STEEL	HIGH TEMPERATURE CARBON STEEL	LOW TEMPERATURE CARBON STEEL	STAINLESS STEEL
1	BODY	ASTM A216 WCB	ASTM A217 WC6/WC9/C5/C12	ASTM A352 LCB/LCC/LC3	ASTM A351 CF3/CF8/CF3M/CF8M
2	BONNET				
3	WEDGE	ACCORDING TO API 600 TRIM NUMBER			
4	SEAT RING				
5	STEM	A105			
6	BACK SEAT				
7	GLAND	A182 F304L /A182 F316L			
8	GLAND FLANGE				
9	YOKE SLEEVE	NI RESIST			
10	HANDWHEEL	CARBON STEEL			
11	GASKET	FLAT REINFORCED GRAPHITE / FLAT PTFE			
12	STEM PACKING	GRAPHITE/PTFE			
13	BONNET STUD BOLTS/NUTS	A193 B7/A194 2H	A193 B16/A194 Gr4	A320 L7/A320 Gr7	A193 B8/A194 Gr8
14	EYEBOLTS/NUTS	CARBON STEEL			
15	YOKE SLEEVE NUT	CARBON STEEL			
16	HANDWHEEL NUT	CARBON STEEL			