

GLOBE VALVE

150LBS – FIG. 111

Design features

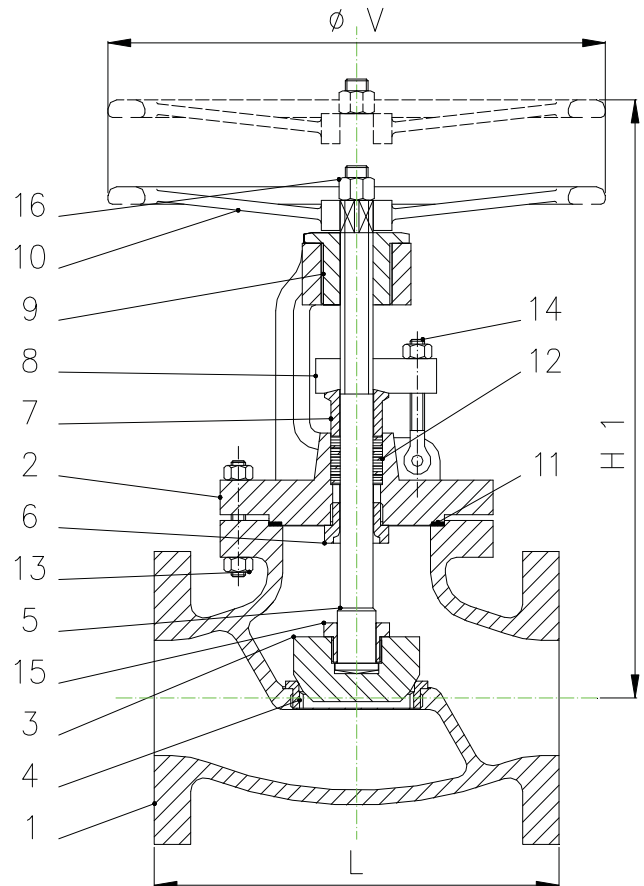
- ✓ Design according to
 - BS 1873
 - ANSI B 16.34
- ✓ Bolted bonnet, O.S.& Y.
- ✓ Swivel disc
- ✓ Full range of body and bonnet materials
- ✓ Renewable seats
- ✓ Rising Handwheel
- ✓ Flanges according to ANSI B 16.5 from 2" to 24"
- ✓ Flanges according to ANSI B 16.47 from 26"
- ✓ Bw ends according to ANSI B 16.25
- ✓ Face to face according to ANSI B 16.10
- ✓ Testing according to
 - API 598
 - BS EN ISO 12266 PART 1

Special execution

- ✓ See " special features " section

Material range

- ✓ Valves are also available in Super Austenitic Duplex and Superduplex Steels , Nickel based Alloys , Titanium and Molibdenum 6.



Dimensions

Size	2"	3"	4"	6"	8"	10"	12"	14"	16"	18"	20"	24"	30"	34"	36"
L- ^{RF} / _{BW}	203	241	292	406	495	622	698	787	914	Available on request					
L-RTJ	216	254	305	419	508	635	711	800	927						
H 1	325	410	465	575	655	740	840	980	1120						
V	200	225	250	300	400	450	500	600	720						

Item	PARTS	STANDARD MATERIAL			
		STD. CARBON STEEL	HIGH TEMPERATURE CARBON STEEL	LOW TEMPERATURE CARBON STEEL	STAINLESS STEEL
1	BODY	ASTM A216 WCB	ASTM A217 WC6/WC9/C5/C12	ASTM A352 LCB/LCC/LC3	ASTM A351 CF3/CF8/CF3M/CF8M
2	BONNET				
3	DISC	ACCORDING TO API 600 TRIM NUMBER			
4	SEAT RING				
5	STEM				
6	BACK SEAT				
7	GLAND	A105		A182 F304L / A182 F316L	
8	GLAND FLANGE				
9	YOKE SLEEVE	NI RESIST			
10	HANDWHEEL	CARBON STEEL			
11	GASKET	SPIRAL WOUND REINFORCED GRAPHITE / PTFE			
12	STEM PACKING	GRAPHITE/PTFE			
13	BONNET STUD BOLTS/NUTS	A193 B7/A194 2H	A193 B16/A194 Gr4	A320 L7/A320 Gr7	A193 B8/A194 Gr8
14	EYEBOLTS/NUTS				
15	DISC NUT	CARBON STEEL			
16	HANDWHEEL NUT	CARBON STEEL			