

## PRESSURE SEAL GATE VALVES

900LBS - FIG. 107 PS

### Design features

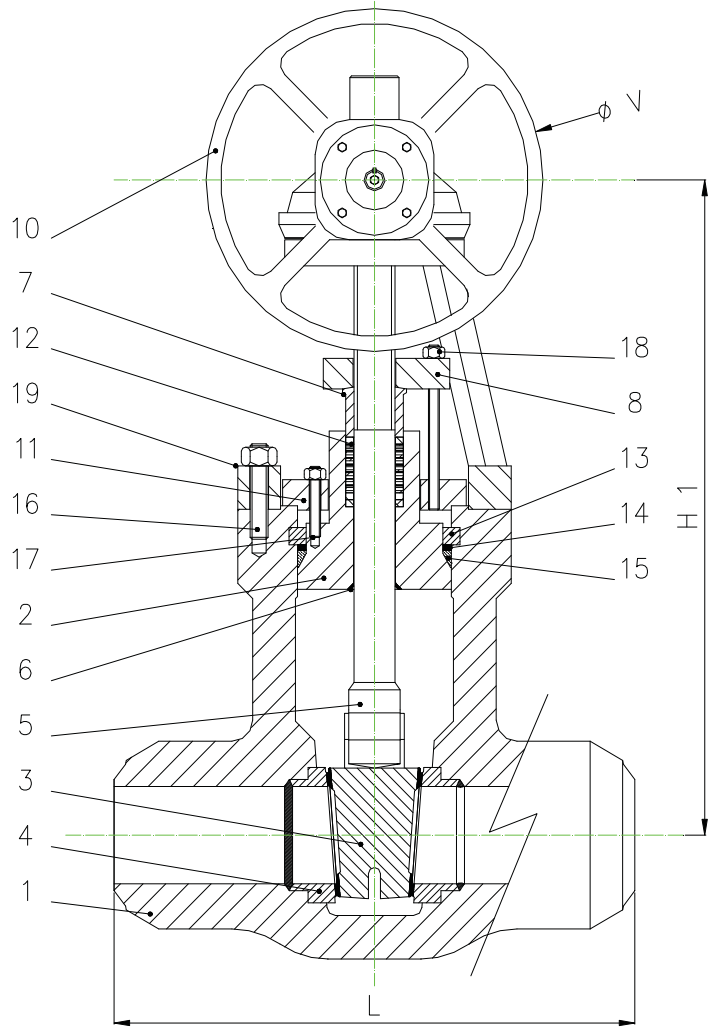
- ✓ Design according to
  - API 600
  - BS EN ISO 10434
  - ANSI B 16.34
- ✓ Pressure seal bonnet , O.S.& Y.
- ✓ Solid or flexible wedge
- ✓ Parallel slide double disc on request
- ✓ Full range of body and bonnet materials
- ✓ Full welded seats
- ✓ Non rising Handwheel
- ✓ Non rotating stem
- ✓ Bw ends according to ANSI B 16.25
- ✓ Face to face according to ANSI B 16.10 short
- ✓ Testing according to
  - API 598
  - BS EN ISO 12266 PART 1

### Special execution

- ✓ See " special features " section

### Material range

- ✓ Valves are also available in Super Austenitic Duplex and Superduplex Steels , Nickel based Alloys , Titanium and Molibdenum 6.



### Dimensions

Size	2"	3"	4"	6"	8"	10"	12"	14"	16"	18"	20"	24"	30"	34"	36"
L-BW	305	356	508	660	787	914	991	1092	1143	Available on request					
H 1	670	791	1068	1380	1560	1800	1900	2100	2350						
V	500	500	600	600	G.O.	G.O.	G.O.	G.O.	G.O.						

Item	PARTS	STANDARD MATERIAL			
		STD. CARBON STEEL	HIGH TEMPERATURE CARBON STEEL	LOW TEMPERATURE CARBON STEEL	STAINLESS STEEL
1	BODY	ASTM A216 WCB	ASTM A217 WC6/WC9/C5/C12	ASTM A352 LCB/LCC/LC3	ASTM A351 CF3/CF8/CF3M/CF8M
2	BONNET				
3	WEDGE	ACCORDING TO API 600 TRIM NUMBER			
4	SEAT RING				
5	STEM	A105			
6	BACK SEAT				
7	GLAND	A105		A182 F304 L / A182 F 316 L	
8	GLAND FLANGE	CARBON STEEL			
10	HANDWHEEL				
11	LOCKING-EYEBOLT FLANGE	A105		A182 F304 L / A182 F 316 L	
12	STEM PACKING	GRAPHITE			
13	SECTOR RING				
14	SPACER	UNS S 41000		A182 F 304 L / A182 F 316 L	
15	TRAPEZOIDAL GASKET	REINFORCED GRAPHITE			
16	YOKE STUD BOLT- NUT				
17	BONNET STUD BOLT - NUT	A193 B7/A194 2H	A193 B16/A194 Gr4	A320 L7/A320 Gr7	A193 B8/A194 Gr8
18	EYEBOLT NUT	ASTM A216 WCB	ASTM A217 WC6/WC9/C5/C12	ASTM A352 LCB/LCC/LC3	ASTM A351 CF3/CF8/CF3M/CF8M
19	YOKE				