

## PRESSURE SEAL GLOBE VALVE

900LBS - FIG. 117 PS

### Design features

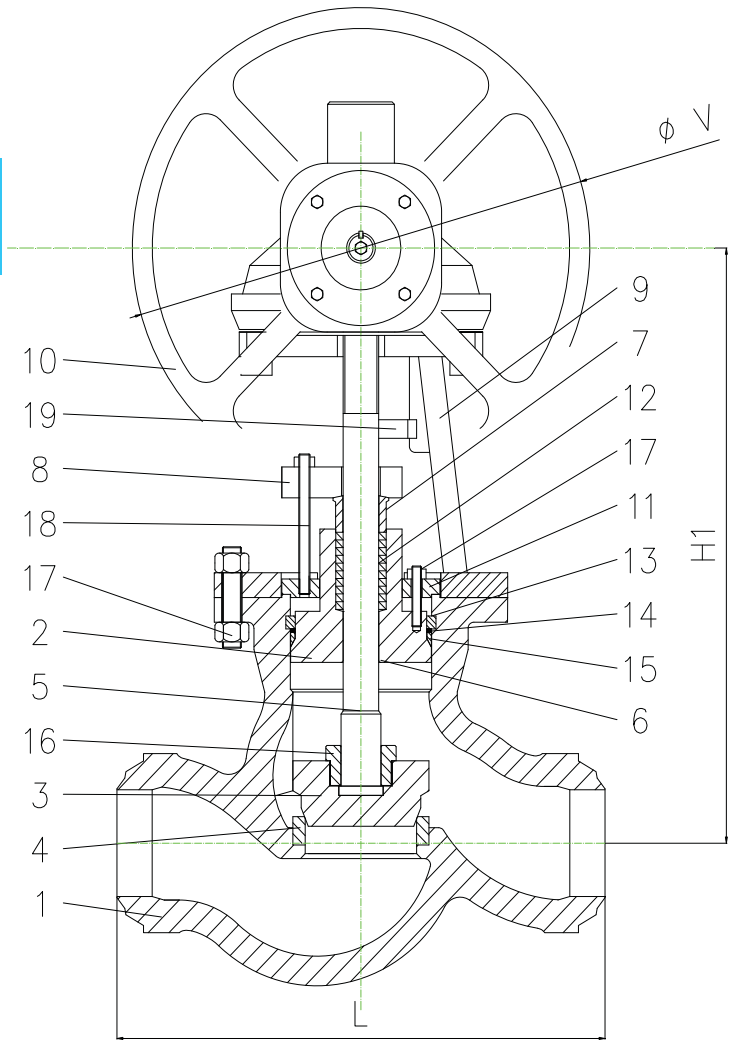
- ✓ Design according to
  - BS 1873
  - ANSI B 16.34
- ✓ Pressure seal bonnet , O.S.& Y.
- ✓ Plug type disc fully guided
- ✓ Full range of body and bonnet materials
- ✓ Full welded seats
- ✓ Non rising Handwheel
- ✓ Non rotating stem
- ✓ Bw ends according to ANSI B 16.25
- ✓ Face to face according to ANSI B 16.10
- ✓ Testing according to
  - API 598
  - BS EN ISO 12266 PART 1

### Special execution

- ✓ See "special feature" section

### Material range

- ✓ Valves are also available in Super Austenitic Duplex and Superduplex Steels , Nickel based Alloys , Titanium and Molibdenum 6.



### Dimensions

Size	3"	4"	6"	8"	10"	12"	14"	16"	18"	20"	24"	30"	34"	36"
L-BW	381	457	610	737	838	965	Available on request							
H 1	615	838	1072	1340	1470	1662								
V	500	600	700	700	G.O.	G.O.								

Item	PARTS	STANDARD MATERIAL			
		STD. CARBON STEEL	HIGH TEMPERATURE CARBON STEEL	LOW TEMPERATURE CARBON STEEL	STAINLESS STEEL
1	BODY	ASTM A216 WCB	ASTM A217 WC6/WC9/C5/C12	ASTM A352 LCB/LCC/LC3	ASTM A351 CF3/CF8/CF3M/CF8M
2	BONNET				
3	DISC	ACCORDING TO API 600 TRIM NUMBER			
4	SEAT RING				
5	STEM	A105			
6	BACK SEAT				
7	GLAND	A182 F304 L / A182 F 316 L			
8	GLAND FLANGE				
9	YOKE	ASTM A216 WCB	ASTM A217 WC6/WC9/C5/C12	ASTM A352 LCB/LCC/LC3	ASTM A351 CF3/CF8/CF3M/CF8M
10	HANDWHEEL	CARBON STEEL			
11	LOCKING-EYEBOLT FLANGE	A105			
12	STEM PACKING	GRAPHITE			
13	SECTOR RING	UNS S 41000			
14	SPACER				
15	TRAPEZOIDAL GASKET	REINFORCED GRAPHITE			
16	DISC NUT	UNS S 41000			
17	YOKE - BONNET STUD <sup>BOLT/</sup> NUT	A193 B7/A194 2H	A193 B16/A194 Gr4	A320 L7/A320 Gr7	A193 B8/A194 Gr8
18	EYEBOLT NUT	CARBON STEEL			
19	NON ROTATING STEM DEVICE				

FIRSA S.p.A.  
 Via A. Grandi 12/14 – 20017 Rho ( MI ) , Italy  
 Tel + 39.02.93901158/59 ; Fax + 39.02.93901190  
 P.IVA 02522860150 - [www.firsa.com](http://www.firsa.com) - [info@firsa.com](mailto:info@firsa.com)