

PRESSURE SEAL SWING CHECK VALVE

900 LBS – FIG. 127 PS

Design features

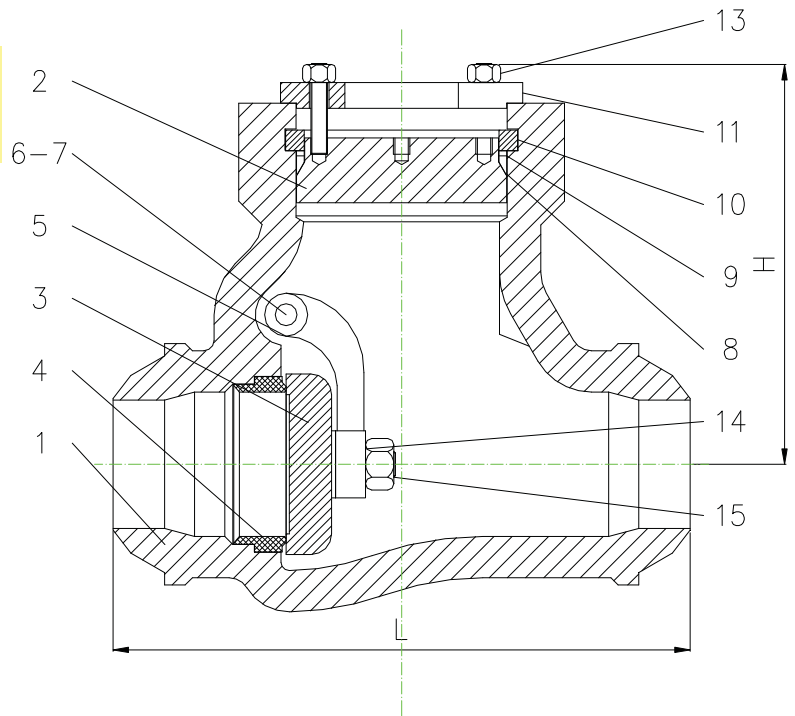
- ✓ Design according to
 - BS 1868
 - ANSI B 16.34
 - API 6D
- ✓ Full range of body and bonnet materials
- ✓ Pressure seal bonnet
- ✓ Full welded seats
- ✓ Bw ends according to ANSI B 16.25
- ✓ Face to face according to ANSI B 16.10
- ✓ Testing according to
 - API 598
 - BS EN ISO 12266 PART 1

Special execution

- ✓ See " special features "section

Material range

- ✓ Valves are also available in Super Austenitic Duplex and Superduplex Steels , Nickel based Alloys , Titanium and Molibdenum 6.



Dimensions

Size	2"	3"	4"	6"	8"	10"	12"	14"	16"	18"	20"	24"	30"	34"	36"
L-BW		381	457	508	660	787	914	991	1092	Available on request					
H		240	272	375	460	512	568	620	690						

Item	PARTS	STANDARD MATERIAL			
		STD. CARBON STEEL	HIGH TEMPERATURE CARBON STEEL	LOW TEMPERATURE CARBON STEEL	STAINLESS STEEL
1	BODY	ASTM A216 WCB	ASTM A217 WC6/WC9/C5/C12	ASTM A352 LCB/LCC/LC3	ASTM A351 CF3/CF8/CF3M/CF8M
2	COVER	ASTM A 105			
5	HINGE	ACCORDING TO API 600 TRIM NUMBER			
3	DISC	A182 F304L / A182 F316L			
4	SEAT RING	REINFORCED GRAPHITE			
6	HINGE PIN	UNS S 41000		A182 F 304 L / A182 F 316 L	
7	PLUG	A182 F304L / A182 F316L			
8	TRAPEZOIDAL GASKET	REINFORCED GRAPHITE			
9	SPACER	A182 F304L / A182 F316L			
10	SECTOR RING	A182 F304L / A182 F316L			
11	LOCKING SUPPORT FLANGE	A182 F304L / A182 F316L			
13	COVER STUD BOLT-NUT	A193 B7/A194 2H	A193 B16/A194 Gr4	A320 L7/A320 Gr7	A193 B8/A194 Gr8
14	SPLIT PIN	A182 F 304 L / A182 F 316 L			
15	WASHER	A182 F 304 L / A182 F 316 L			